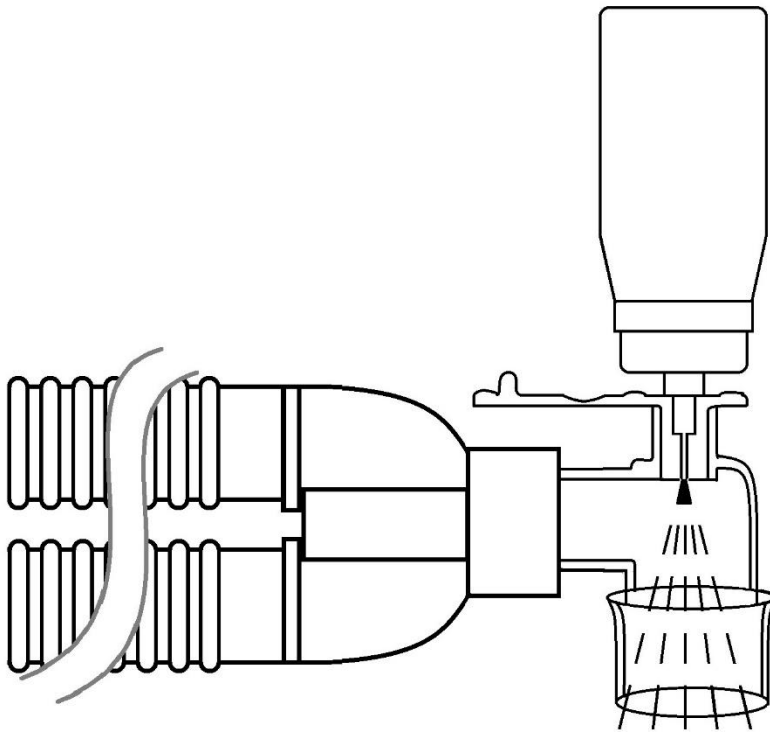


# Hilfsmittel®

## Mask Elbow with MDI port



### Product Feature

- Made from polypropylene
- Silicone cap
- Mask elbow with port for Metered Dosage Inhalers
- MDI port at elbow for unobstructed direct administration to patient
- Accepts most standard MDI canisters.
- E.T.O. Sterile
- Individual pack
- Made in Malaysia

Cat. No.	Description	Pack Per Box
CM-MDI-540	Mask Elbow with MDI port	200

### CoMcorde Medical (M) Sdn. Bhd.

No. 1, Jalan 11/32B,  
TSI Business Industrial Park,  
6½ Mile Off Jalan Kepong,  
52000 Kuala Lumpur  
Malaysia



Tel No 603-62433245

Fax No 603-62433246

Website

[www.comcorde.com.my](http://www.comcorde.com.my)

Email

[sales@comcorde.com.my](mailto:sales@comcorde.com.my)

